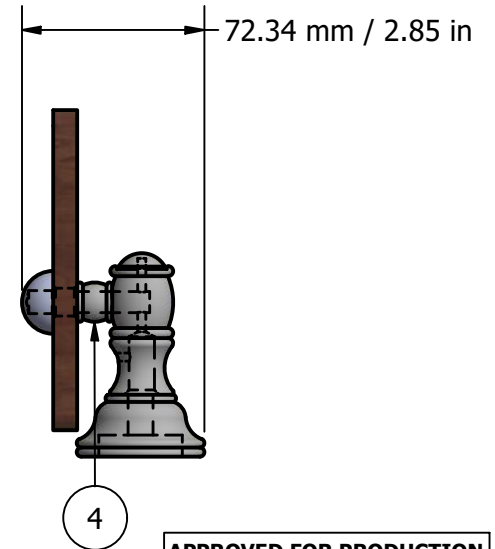
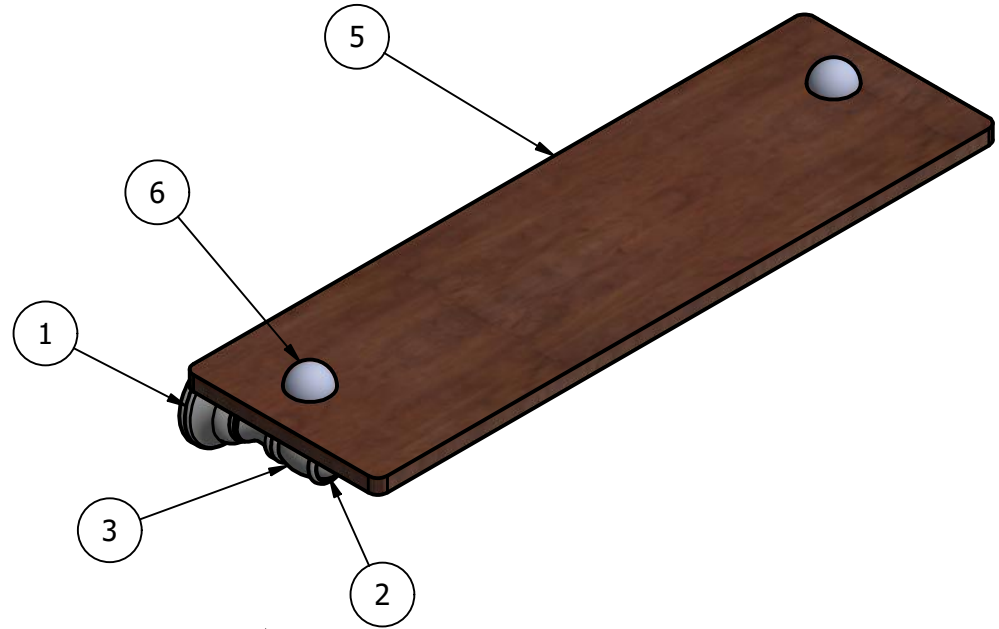




PARTS LIST			
ITEM	QTY	PART NUMBER	DESCRIPTION
1	2	TBBS-2	BACKPLATE
2	3	CL-CAP	CAP
3	3	TSPS-2	POST
4	2	PSRD-78	HUB
5	1	IRWRT-16	16" IPE SHELF
6	2	CAHR-1	CAP



UNLESS OTHERWISE SPECIFIED	
.X	± .3mm
.XX	± .15mm
.XXX	± .008mm

UNIT IS IN MM.

DRAWN	12-19-18	IM	MATERIAL:	BRASS		FINISH	TBD		
CHECKED	12-19-18	P.D.	DESCRIPTION:			QTY	TBD		
APPROVED	12-19-18	R.A.	Carolina 16 Inch Walnut Shelf			DRAWING NO.			
 THIRD ANGLE PROJECTION						CL-1-16-IRW		REV	
						SCALE	1.5:1	SHEET: 1 OF 1	A4

APPROVED FOR PRODUCTION
 By: RICHARD PAUL
 Date: 12-19-18

B

B

A

A

2

1